

Figure 1 — Replacement Parts Illustration for Miter Gauge

Replacement Parts List for Miter Gauge

REF. NO.	DESCRIPTION	PART NO.	QTY.	REF. NO.	DESCRIPTION	PART NO.	QTY.
1	Handle	1086.00	1	7	Miter gauge stop	1092.00	1
2	Washer, 10mm	1087.00	1	8	Setscrew, 6mm - 1.0 x 6	0964.00	1
3	Bar	1088.00	1	9	Setscrew, 6mm - 1.0 x 6	0964.00	1
4	Gauge	1089.00	1	10	Roller guide	1093.00	1
5	Round hd. screw, 5mm - .80 x 20	1090.00	3	11	Flat head screw, 6mm - 1.0 x 8	1095.00	1
6	Indicator	1091.00	1	12	Locking nut, 5mm - .80	0985.00	3

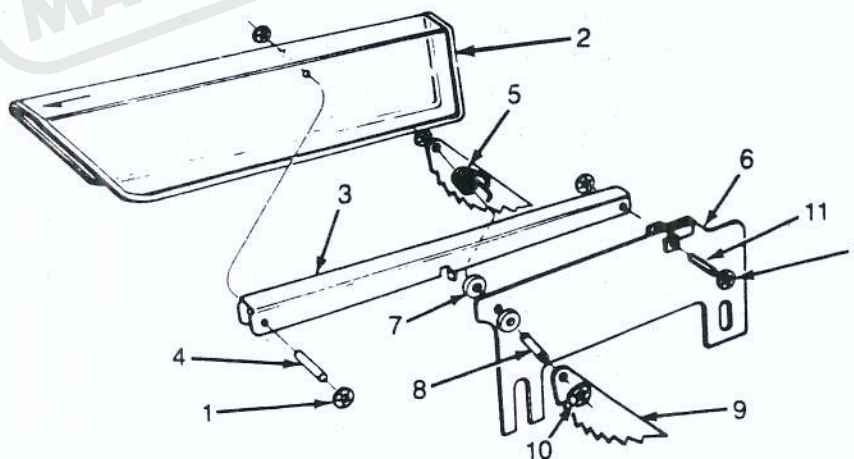
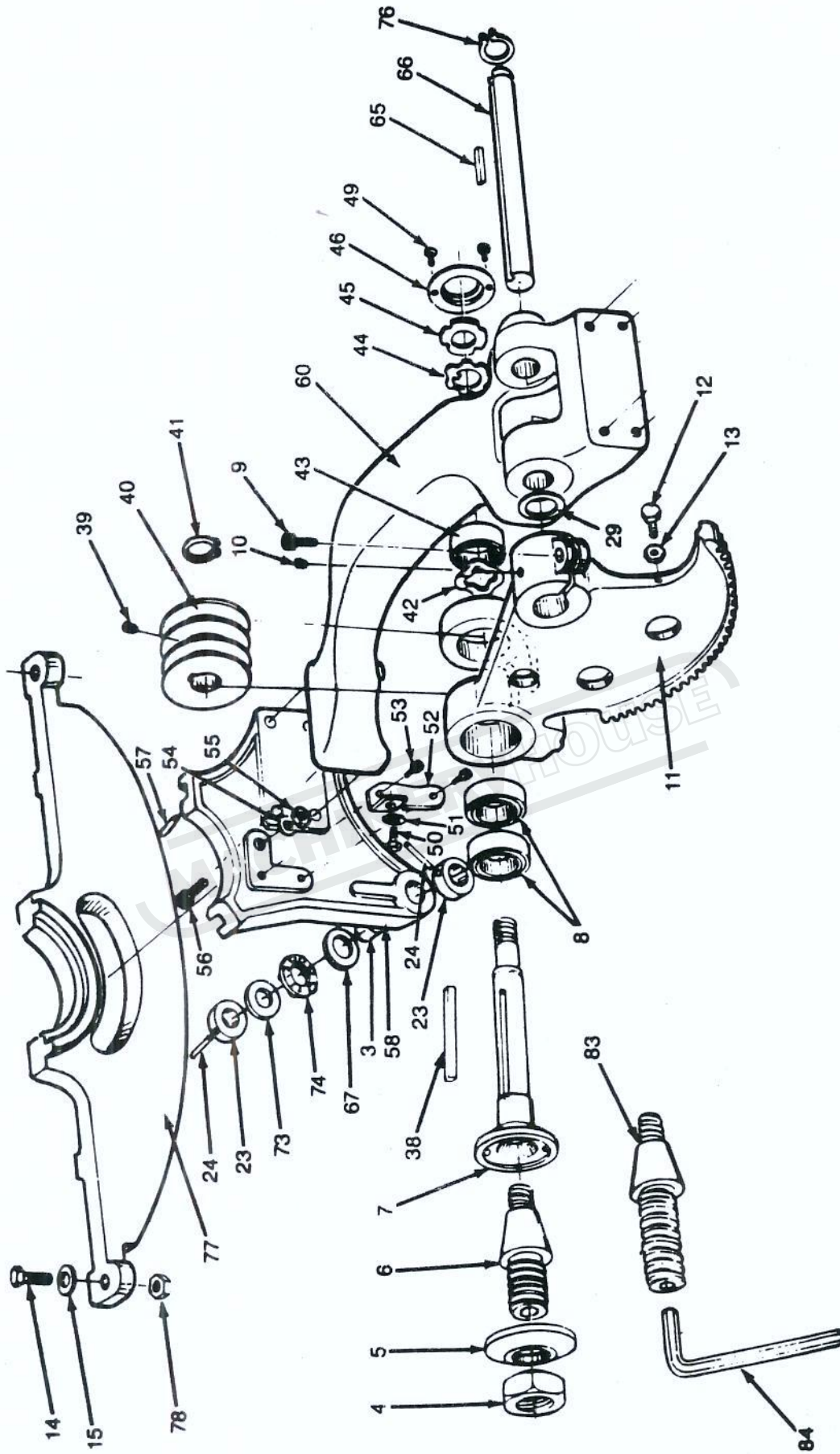


Figure 2 — Replacement Parts Illustration for Guard Assembly

Replacement Parts List for Guard Assembly

REF. NO.	DESCRIPTION	PART NO.	QTY.	REF. NO.	DESCRIPTION	PART NO.	QTY.
1	Push nut	1069.00	4	6	Spreader	1074.00	1
2	Clear blade guard	1070.00	1	7	Spacer	1075.00	2
3	Guard support	1071.00	1	8	Pin	1076.00	1
4	Pin	1072.00	1	9	Antikickback pawl	1077.00	2
5	Spring	1073.00	1	10	Snap ring	1078.00	2
				11	Pin	1079.00	1



Replacement Parts List for Main Mechanism

REF. NO.	DESCRIPTION	PART NO.	QTY.
1	Washer	0950.00	2
2	Bushing	0951.00	2
3	Bushing	0951.00	2
4	Arbor nut (1" I.D.)	0952.00	1
5	Blade flange (1" I.D.)	0953.00	1
6	Arbor extension (for 1" O.D. blade)	0954.00	1
7	Arbor	0955.00	1
8	Bearing	0956.00	2
9	Socket head bolt, 8mm - 1.25 x 25	0957.00	1
10	Setscrew, 8mm - 1.25 x 8	0958.00	1
11	Arbor bracket	0959.00	1
12	Hex head bolt, 6mm - 1.0 x 12	0960.00	1
13	Hex nut, 6mm - 1.0	0961.00	1
14	Hex head bolt, 10mm - 1.5 x 35	0962.00	4
15	Lockwasher, 10mm	0963.00	4
16	Setscrew, 6mm - 1.0 x 6	0964.00	2
17	Indicator bracket	0965.00	1
18	Socket head bolt, 5mm - .80 x 75	0966.00	2
19	Indicator	0967.00	1
20	Washer, 5mm	0968.00	1
21	Round head screw, 5mm - .80 x 8	0969.00	1
22	Collar	0970.00	1
23	Collar	0970.00	2
24	Roll pin	0971.00	5
25	Limit stud	0972.00	4
26	Tilt adjustment shaft	0973.00	1
27	Front trunnion bracket	0974.00	1
28	Key, 5mm x 5mm x .25	0975.00	2
29	Washer	0976.00	1
30	Front trunnion	0977.00	1
31	Hex nut, 8mm - 1.25	0978.00	2
32	Hex head bolt, 8mm - 1.25 x 35	0979.00	1
33	Hex head bolt, 8mm - 1.25 x 35	0979.00	1
34	Pivot shaft	0980.00	1
35	Hex head bolt, 12mm - 1.75 x 15	0981.00	2
36	Washer, 12mm	0982.00	2
37	Cotter pin	0983.00	1
38	Key, 5mm x 5mm x .45	0984.00	1
39	Setscrew, 8mm - 1.25 x 8	0958.00	1
40	Drive pulley	0986.00	1
41	Snap ring, R22	0987.00	1
42	Bearing washer	0988.00	1
43	Bearing	0989.00	1
44	Washer	0990.00	1
45	Locking nut, 20mm	0991.00	1
46	Cover	0992.00	1

Replacement Parts List for Main Mechanism (Continued)

REF. NO.	DESCRIPTION	PART NO.	QTY.
47	Socket head bolt, 6mm - 1.0 x 12	0993.00	2
48	Dust deflector	0994.00	1
49	Round head screw, 5mm - .80 x 8	0969.00	3
50	Hex head bolt, 8mm - 1.25 x 12	0996.00	1
51	Washer, 8mm	0997.00	1
52	Front support bracket	0998.00	1
53	Socket head bolt, 6mm - 1.0 x 12	0963.00	2
54	Lockwasher, 12mm	1000.00	1
55	Hex nut, 12mm - 1.75	1001.00	1
56	Socket head bolt, 10mm - 1.5 x 25	1002.00	4
57	pin,	1003.00	2
58	Rear trunnion bracket	1004.00	1
59	pin,	1005.00	2
60	Arm	1006.00	1
61	Setscrew, 6mm - 1.0 x 6	0964.00	2
62	Motor mount support	1008.00	1
63	Hex head bolt, 8mm - 1.25 x 35	0979.00	1
64	Hex nut, 8mm - 1.25	0978.00	1
65	Key, 5mm x 5mm x 75mm	1011.00	1
66	Shaft	1012.00	1
67	Washer	1013.00	2
68	Worm gear	1014.00	2
69	Lockwasher, 10mm	0963.00	4
70	Hex nut, 10mm	1016.00	4
71	Motor mount plate	1017.00	1
72	Hex head bolt, 10mm - 1.5	1018.00	4
73	Bearing dust deflector	1019.00	1
74	Thrust bearing, #51104	1020.00	1
75	Height adjustment shaft	1021.00	1
76	Snap ring, R28	1022.00	1
77	Rear trunnion bracket	1023.00	1
78	Hex nut, 10mm	1016.00	4
80	Motor pulley,	1026.00	1
81	Setscrew, 8mm - 1.25 x 8	0958.00	1
82	V-belt,	4LZ90	3
83	Arbor extension (for Dado) (OPTIONAL)	1028.00	1
84	Setscrew wrench, 8mm	0889.00	1
85	Spanner wrench	1032.00	1
86	Blade (OPTIONAL)	1036.00	1
△	Setscrew wrench, 5mm	0150.00	1
△	Setscrew wrench, 3mm	0149.00	1
△	Spanner 12 x 14 wrench	1034.00	1
△	Spanner 17 x 19 wrench	1035.00	1

△Not shown.

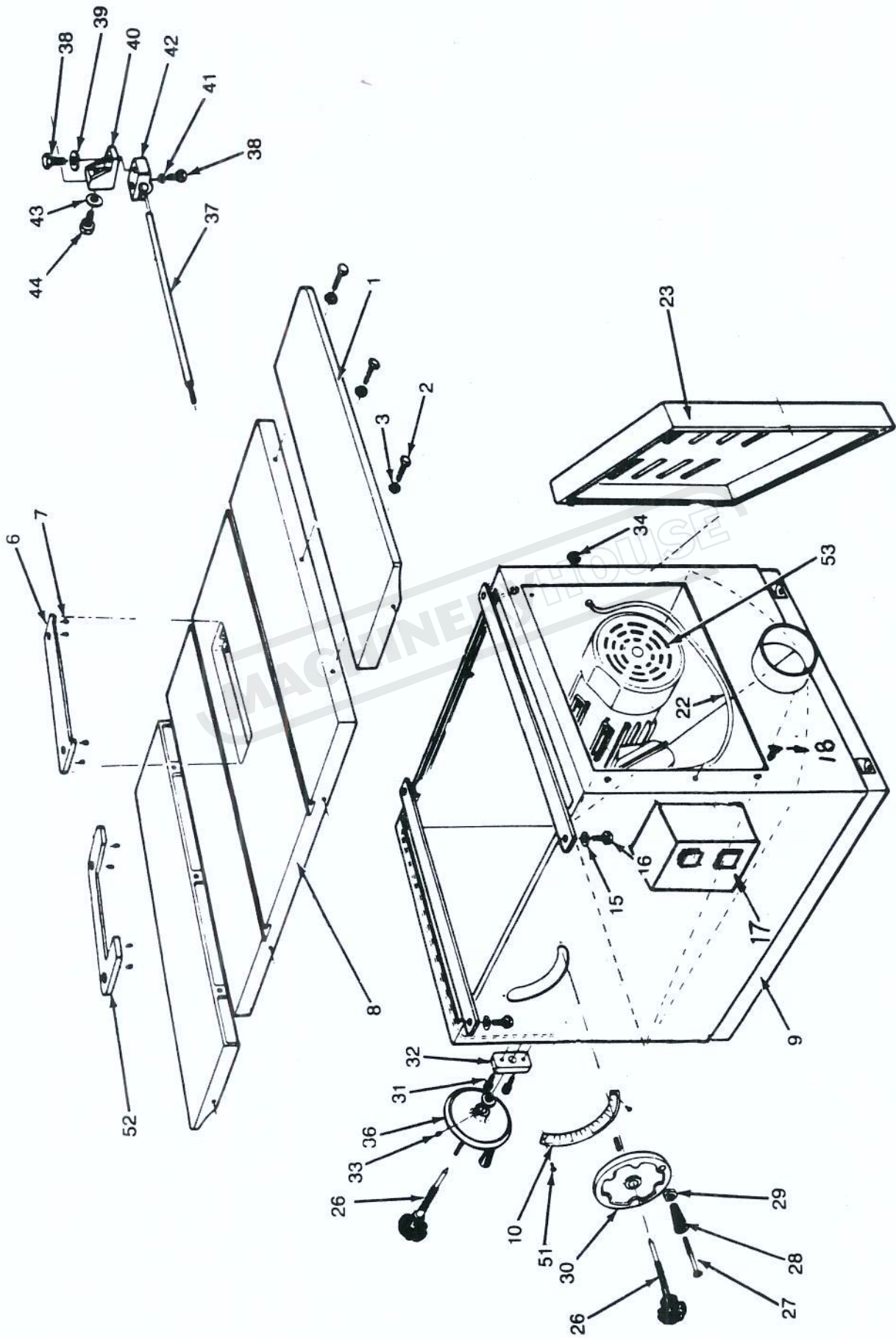


Figure 4 — Replacement Parts Illustration for Table and Base Assembly

Replacement Parts List for Table and Base Assembly

REF. NO.	DESCRIPTION	PART NO.	QTY.
1	Extension table	1037.00	2
2	Hex head bolt, 10mm- 1.5 x 35	0962.00	6
3	Lockwasher, 10mm	0963.00	6
6	Blade insert	1042.00	1
7	Setscrew, 6mm - 1.0 x 8	1043.00	4
8	Table	1044.00	1
9	Base	1045.00	1
10	Indicator plate	1046.00	1
11	Round head screw, 4mm - .60 x 25	1047.00	2
13	Nut, 4mm - .60	1049.00	2
15	Lockwasher, 10mm	0963.00	4
16	Hex head bolt, 10mm - 1.5 x 30	1051.00	4
17	Magnetic switch	1052.00	1
18	Round head screw, 5mm - .80 x 8	0969.00	2
19	Locknut, 5mm - .80	1053.00	2
22	Line cord (Mag. to motor)	1055.00	1
23	Door	1056.00	1
26	Locking knob	1059.00	2
27	Screw	1060.00	2
28	Crank handle	1061.00	2
29	Hex nut	1062.00	2
30	Hand wheel (tilting)	1063.00	1
31	Socket head bolt, 8mm - 1.25 x 20	1064.00	2
32	Shield plate	1065.00	1
33	Setscrew, 6mm - 1.0 x 6	0964.00	2
34	Grommet	1066.00	1
35	Lockwasher, 4mm	1067.00	2
36	Hand wheel (height)	1063.00	1
37	Guard support rod	1080.00	1
38	Hex head bolt, 8mm - 1.25 x 25	1081.00	2
39	Washer, 8mm	0997.00	1
40	Rear spreader support (upper)	1083.00	1
41	Lockwasher, 8mm	1084.00	1
42	Rear spreader support (lower)	1085.00	1
43	Washer, 8mm	0997.00	1
44	Hex head bolt, 8mm - 1.25 x 12	0996.00	1
51	Screw	1010.00	2
52	Dado insert (OPTIONAL)	0999.00	1
53	Motor	6K146	1

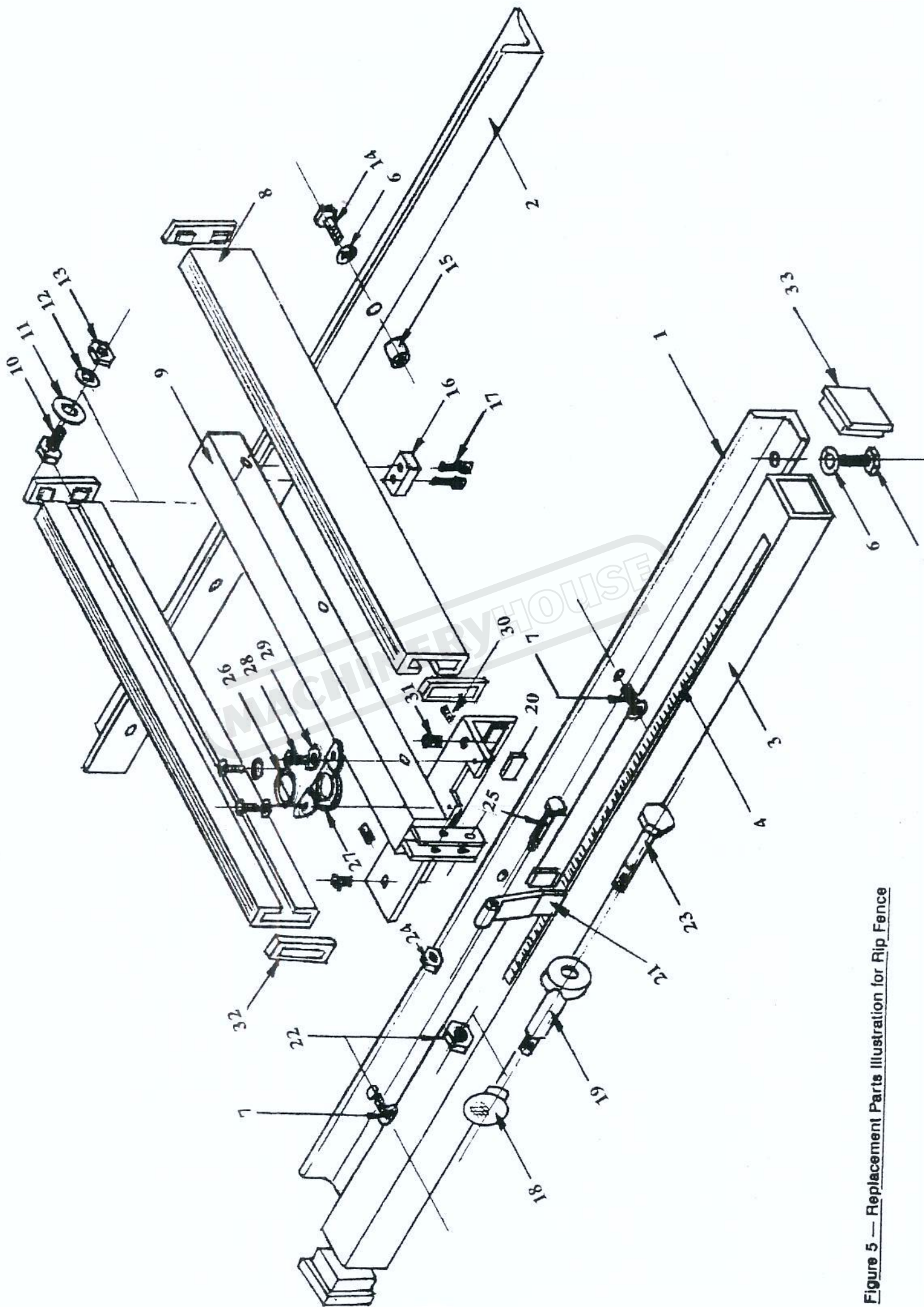


Figure 5 — Replacement Parts Illustration for Rip Fence

Replacement Parts List for Rip Fence

REF. NO.	DESCRIPTION	PART NO	QTY
1	FRONT RAIL	2001.00	1
2	REAR RAIL	2002.00	1
3	GUIDE RAIL	2003.00	1
4	MEASURE SCALE	2004.00	1
5	HEX HEAD SCREW M8 × 16mm	2219.00	6
6	LOCK WASHER	0978.00	10
7	PAN HEAD SCREW M8 × 16mm	2005.00	3
8	FENCE	2006.00-A	2
9	FENCE BRACKET BODY	2007.00	1
10	HEX HEAD SCREW M10 × 20mm	2220.00	6
11	WASHER	2223.00	6
12	LOCK WASHER	0963.00	6
13	HEX NUT	1016.00	6
14	HEX HEAD SCREW M8 × 30mm	2221.00	3
15	SPACER	2009.00	4
16	PLASTIC PAD	2010.00	1
17	SOCKET HEAD SCREW M5 × 15mm	2222.00	2
18	LOCK KNOB	2011.00	1
19	CAM WITH LOCKING LEVER	2012.00	1
20	PAD	2013.00	3
21	CLAMP SHOE	2014.00	1
22	LOCK NUT	2211.00	1
23	HEX HEAD BOLT 3/8" × 1 3/4" L	2212.00	1
24	LOCK NUT	2213.00	1
25	HEX HEAD BOLT M6 × 45mm	2214.00	1
26	LENS	2015.00	1
27	LENS BRACKET	2016.00	1
28	ROUND HEX SCREW M5 × 8mm	1212.00	3
29	WASHER	2215.00	3
30	SET SCREW M8 × 12mm	2216.00	2
31	PLASTIC SCREW	2017.00	2
32	FENCE END COVER	2018.00	4
33	RAIL END COVER	2019.00	2
△	ALEN WRENCH 4m/m	2217.00	1
△	ALEN WRENCH 5m/m	2218.00	1

**OPERATIONS MANUAL FOR
4' X 8' ROLLER TYPE SLIDING TABLE**

- Open crate with Sliding Table Assembly and fit Part #9 (has bearing in) to lower holes on left hand side of saw (see parts drawing supplied with sliding table).
- Remove #40 Swinging Arm with #42 Pivot Pin Installed, and place on #9 Lower Bearing Block.
- Bolt on #8 Upper Block with pivot pin inserted in between 3 x Adjustment Screws (screws to top of block).
- Remove #11 long Steel sliding Bar and bolt 2 x #12 Blocks to it (as shown).
- Bolt this bar to the left hand side of the saw bench as shown. Nip up attachment bolts with bar in upper position of slots (for Future adjustment).
- With #1 Main Siding Assembly still in box, attachment #31 "Y" Arm to end of assembly with #34 Plastic Knob facing out.
- Fit #37 Outrigger Roller into "Y" arm and tighten knob. Then place siding table onto saw rails.
- Fit #17 Collar to far end of #11 Steel Bar.
- Fit #16 Collar (with bar welded on) to front end of #11 Steel Bar with #33 Adjustable Outrigger Leg fitted.
- Fit 2 x #15 Lower Bearing Supports to right hand side of bottom of #1 Sliding Table Assembly. When fitting, bearing shaft is on a cam. by undoing #23 Grub Screw on underside of casting. The bearing shaft can be rotated which will move the bearing up and down.
- At this stage it is recommended that the table adjustment be done. To do this, a lot of trial and error is involved to achieve the desired result.

Position sliding table between the two #12 Brackets then adjust down #11 Bar so #1 sliding Table is in line with saw bench (just above and parallel). Now fine set up the #11 sliding Bar so both sides at front and back of saw are even (use a straight edge of the table and a ruler from straight edge to bar to measure distance (approx, 70mm)).

- Remove #17 collar and slide table assembly off. Swing #40 Swinging Arm to front of machine, under #11 Rod, and adjust screws in #8 Upper Block so that 2 x #11 and #41 Rails are parallel. At the same time, adjust the #41 Arm Rail at 90° to the #11 Rail, using #24 Fence on table top, as a straight edge. This should be parallel as well. When all is set, replace sliding table back onto rails and refit #17 Collar.

- Now, by sitting #24 Fence on #1 Sliding Table, the sliding table can be adjusted parallel and just above saw bench top.

To do this, the bearing shafts on the 2 upper vee wheels can be turned to move the table up and down. Loosen grub screws first. (Note: the lower bearings will have to be adjusted to suit as this is done). Also the #37 Outrigger Roller can be adjusted up and down by turning #32 Knob as needed. Swing arm pivot shaft may also have to be adjusted (3x Screws in #8 Block). Keep on adjusting all the above until the desired result is achieved.

- Fit #20 Extension Frame onto #1 Table.
- Fit 2 x #18 Fence Bracket to sliding table and fit #24 Fence to them.
- Fit #6 Swivel Work Stop onto #24 Fence.
- Fit #(not shown) Long Work Stop onto end of #25 Work Stop Tube.

MACHINERYHOUSE

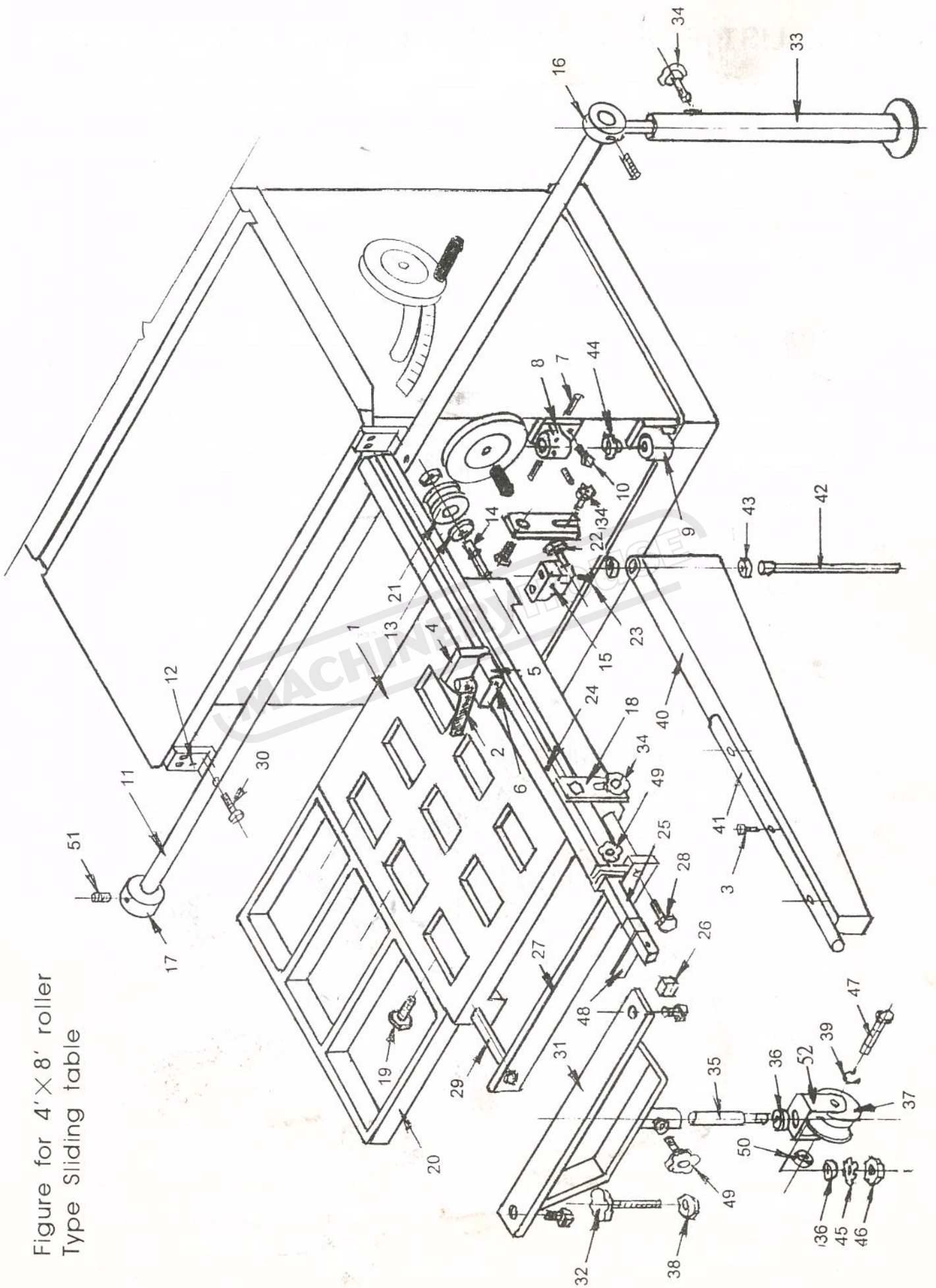
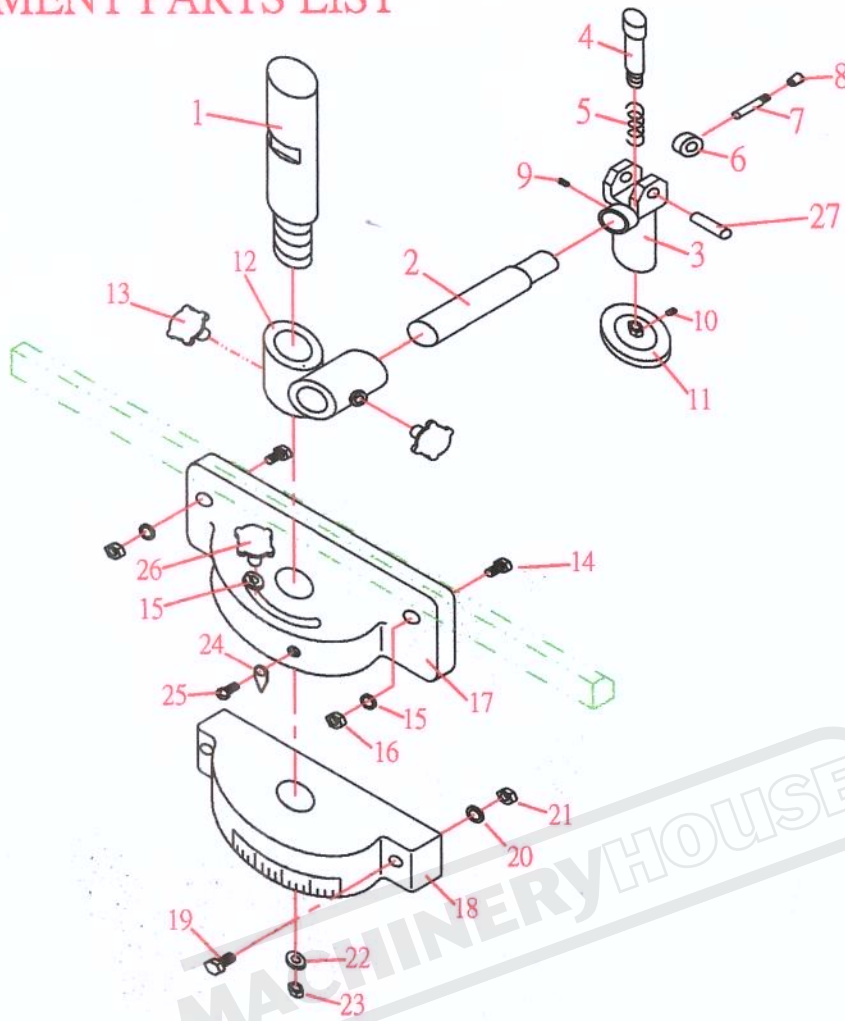


Figure for 4' X 8' roller
Type Sliding table

PARTS LIST FOR 4'X8' ROLLER TYPE SLIDING TABLE

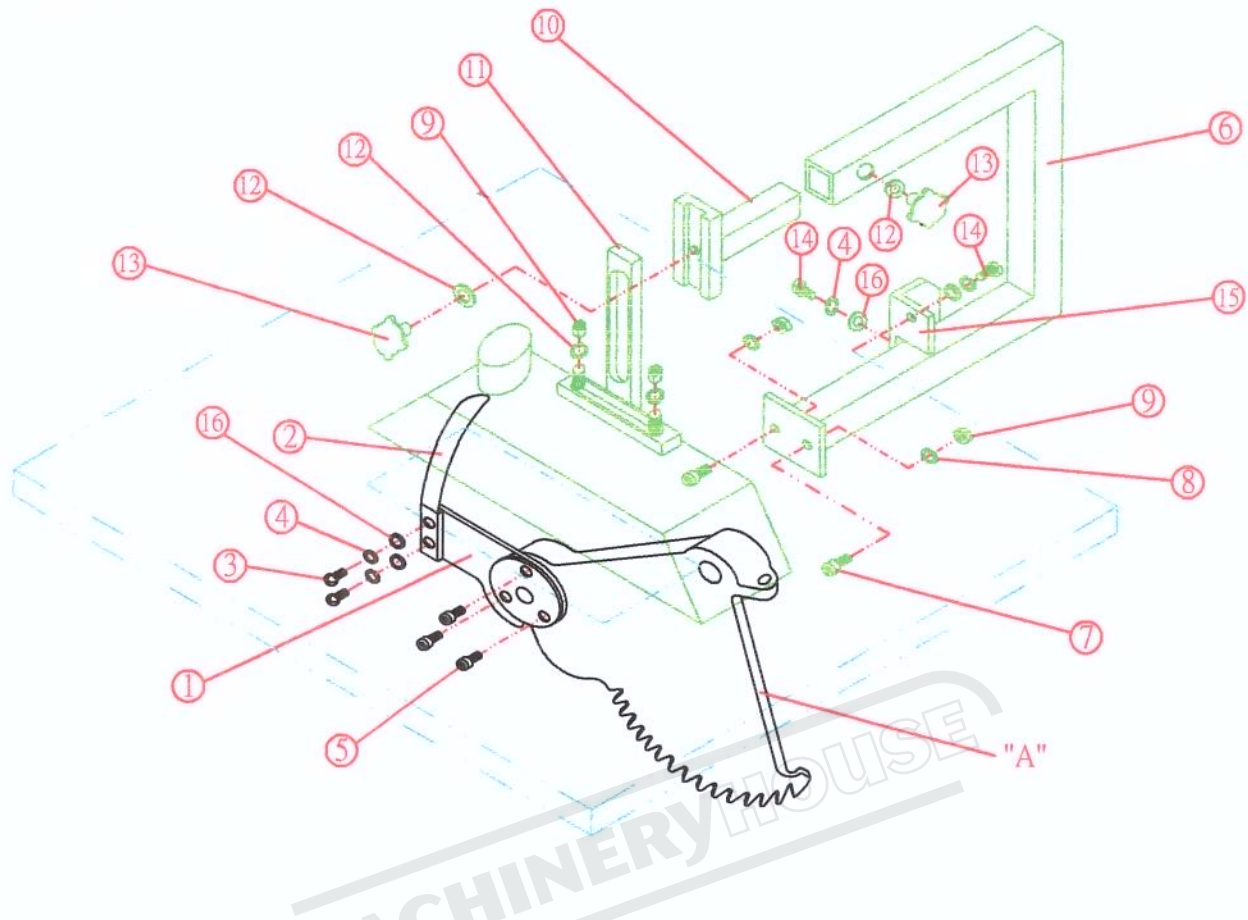
PARTS NO	DESCREPTION	Q'TY	PARTS NO	DESCREPTION	Q'TY
1.	MAIN TABLE	1	26.	END. COVER	1
2.	LOCK HANDLE	1	27.	CONNECTING PLATE	1
3.	SOCKET SCREW	3	28.	M8. HEX HD SCREW	2
4.	STOPS	1	29.	EXTENSION BAR	2
5.	STOPS OF BKT	1	30.	SOCKET SCREW	2
6.	ROUND PIN	1	31.	SUPPORT BKT	1
7.	SET SCREW M8	3	32.	AD JUSTING KNOB	1
8.	UPPER BKT	1	33.	SUPPORT ROD	1
9.	LOWER BKT	1	34.	LOCK KNOB	1
10.	M10. HEX HD SCREW	4	35.	SHAFT	1
11.	ROUND BAR	1	36.	THRUST BEARING	2
12.	HANGER	2	37.	SLIDING ROLLER	1
13.	BEARING	4	38.	NUT	1
14.	ROLLER SHAFT	2	39.	E-TYPE RING	3
15.	LOWER ROLLER SUPPORT	2	40.	SWING BODY	1
16.	FRONT STOP RING	1	41.	ROUND BAR	1
17.	REAR STOP RING	1	42.	SHAFT	1
18.	STEEL PLATE	2	43.	BEARING	2
19.	M10. HEX HD SCREW	3	44.	SPHERICAL BEARING	1
20.	EXTENSION TABLE	1	45.	WASHER	1
21.	UPPER ROLLER	2	46.	LOCK NUT	1
22.	BEARING	2	47.	ROLLER PIN	1
22-1.	BEARING SHAFT	2	48.	STOPS	1
23.	M8. HEX HD SCREW	4	49.	LOCK KNOB	2
24.	CROSS FENCE	1	50.	BEARING #6001ZZ	2
24-1.	MEASURE TAPE	1	51.	SET SCREW M8	2
25.	EXTENSION TUBER	1	52.	ROLLER SUPPORT	1

HOLD DOWN CLAMP WITH MITRE SYSTEM FOR SLIDING TABLE REPLACEMENT PARTS LIST



R/NO	P/NO	DESCRIPTIONS	Q,TY	R/NO	P/NO	DESCRIPTIONS	Q,TY
1	HD-01	VERTICAL ROD	1	15	HD-15	M10 FLAT WASHER	2
2	HD-02	SHAFT	1	16	HD-16	M10 HEX NUT	2
3	HD-03	HOLD DOWN BRACKET	1	17	HD-17	UPPER MITRE GUAGE	1
4	HD-04	CLAMP SHAFT	1	18	HD-18	LOWER MITRE BODY (W/SCALE)	1
5	HD-05	SPRING	1	19	HD-19	M8x35L HEX HEAD SCREW	2
6	HD-06	LOCKING CAM	1	20	HD-20	M8 FLAT WASHER	2
7	HD-07	LOCK HANDLE	1	21	HD-21	M8 HEX NUT	2
8	HD-08	KNOB	1	22	HD-22	5/8" FLAT WASHER	1
9	HD-09	M8x8 SET SCREW	1	23	HD-23	5/8" HEX NUT	1
10	HD-10	M6x6 SET SCREW	1	24	HD-24	POINTER	1
11	HD-11	PLATE	1	25	HD-25	M5x8 ROUND HEAD SCREW	1
12	HD-12	PIVOT BRACKET	1	26	HD-26	LOCK KNOB	1
13	HD-13	LOCK KNOB	2	27	HD-27	DOWL PIN	1
14	HD-14	M10x30L HEX HEAD SCREW	2				

RIVING KNIFE & OVERHEAD SUVA GUARD FOR W459



ASSEMBLY OF RIVING KNIFE AND OVERHEAD SUVA GUARD

1. LOCKED RIVING KNIFE SUPPORT ON ARBOR BRACKET "A" WITH 3PCS M5x16L SOCKET HEAD SCREW
2. LOCKED RIVING KNIFE ON SUPPORT WITH 2PCS M8x16L ROUND HEAD SCREW WITH M8 LOCK WASHER AND ADJUSTING TOLORANCE WITHIN 6mm BETWEEN SAW BLADE AND RIVING KNIFE.
3. MOUNTED GUARD ARM ON CABINET BY 2PCS M10x25L SOCKET HEAD SCREW WHERE ARE ON THE RIGHT SIDE OF CABINET.
4. MOUNTED SAW GUARD ON EXTENSIONS BAR AND ADJUSTING HIGHT OVER 4 INCHS ABOVE TABLE AND ADJUSTING THE GUARD ON CENTRE LINE OF BLADE.
5. LOCK THE KNOB (13)

PART LIST

P/NO	DESCRIPTIONS	Q,TY	P/NO	DESCRIPTIONS	Q,TY
1	RIVING KNIFE SUPPORT	1	9	M10 HEX NUT	4
2	RIVING KNIFE	1	10	EXTENSION BAR	1
3	M8x16L ROUND HEAD SCREW	2	11	"T" BRACKET WITH GUARD	1
4	M8 LOCK WASHER	4	12	M10 FLAT WASHER	4
5	M5x16L SOCKET HEAD SCREW	3	13	LOCK KNOB	2
6	ARM FOR GUARD	1	14	M8x20L HEX HEAD SCREW	2
7	M10x25L SOCKET HEAD SCREW	2	15	GUARD ARM HOLDER	1
8	M10 LOCK WASHER	2	16	M8 FLAT WASHER	4